



Part No: DTS060600UTC-P5P-SZ

Date: 4/06/2006

Unit: mm

Description: switching power supply

Page No: 1 of 7

Input

Rated input voltage	100 V ~ 240 V ac
Input voltage range	90 V ~ 264 V ac
Rated frequency	50~60 Hz
Frequency range	47~63 Hz
Rated input current	1.2 A RMS max.
Inrush current	30 A max. at 115 / 50 A max. at 230 V ac cool start

Output

Output voltage	6 V dc at 6 A
Output min. current	0.1 A
Line regulation	± 1%
Load regulation	0.4 V
Over voltage protection	7.1 ~ 7.9 V dc max. (output shut down)
Short circuit protection	output shut down and auto restart
Ripple voltage	100 mV (p-p) (100~240 V ac at full load)
Efficiency	70% min.

Safety and EMI

HI-POT	input to output	1500 V ac or 2121 V dc at 10 mA for 1 min.
Insulation resistance	input to output	> 100 M Ohm at 500 V dc
Safety approvals	UL/cUL, GS, CE	
EMI standard	meets FCC class B, CE, VCCI-II	
RoHS compliant	yes	
Leakage current	3.5 mA	

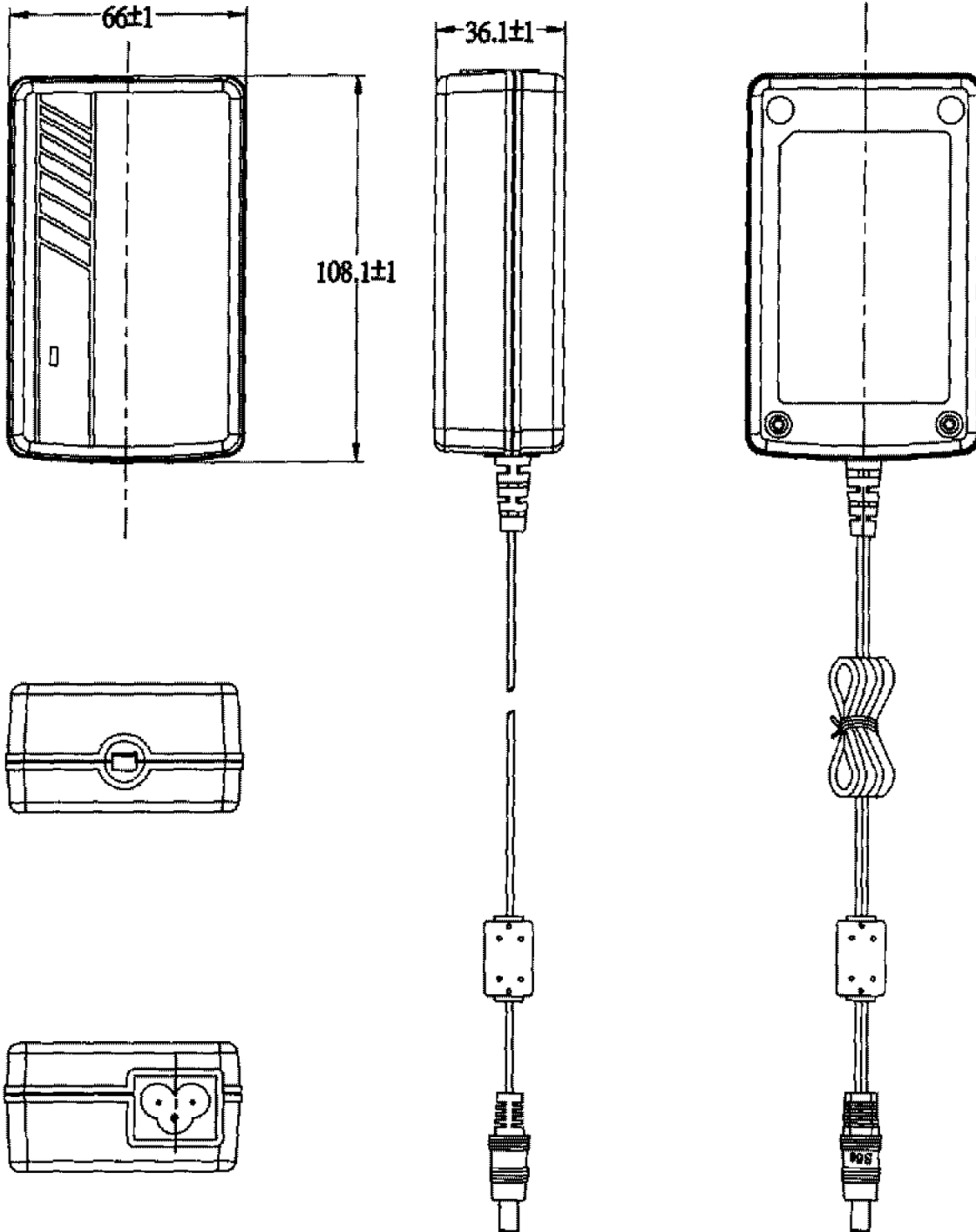
Environmental

Storage temperature	-10°C ~ +70° C
Operating temperature	0°C ~ +40° C
Storage humidity	10~90%
Operating humidity	20~80%

Mechanical Drawing

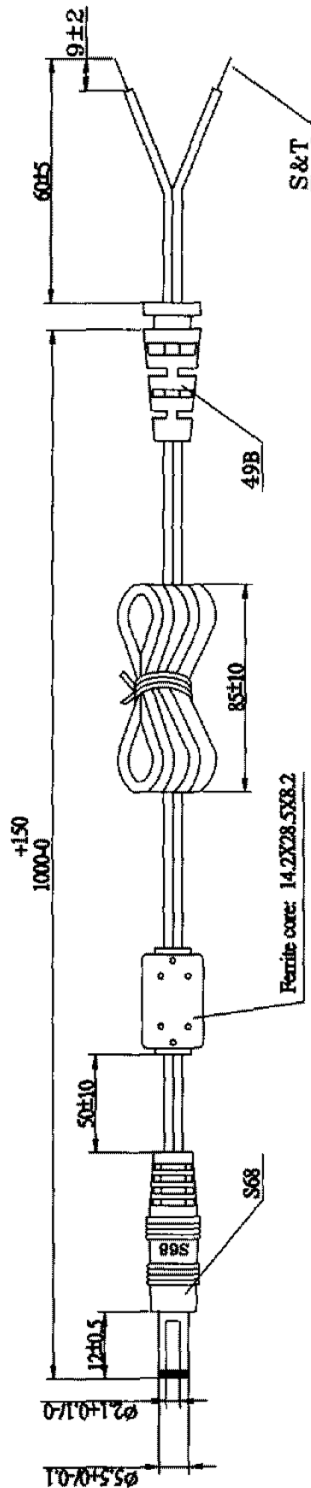
 Tolerance: ± 1

Input plug	Inlet IEC320 3Pin Type
Weight	474 g
Case size	108.1 L x 66 W x 36.1 H mm





DC Cord



#16AWG X2C 105°C SPT-2 HAVE ON WORD WIRE IN OUTER, NO WORD WIRE IN INNER

WIRE OD: 3.6X7.2

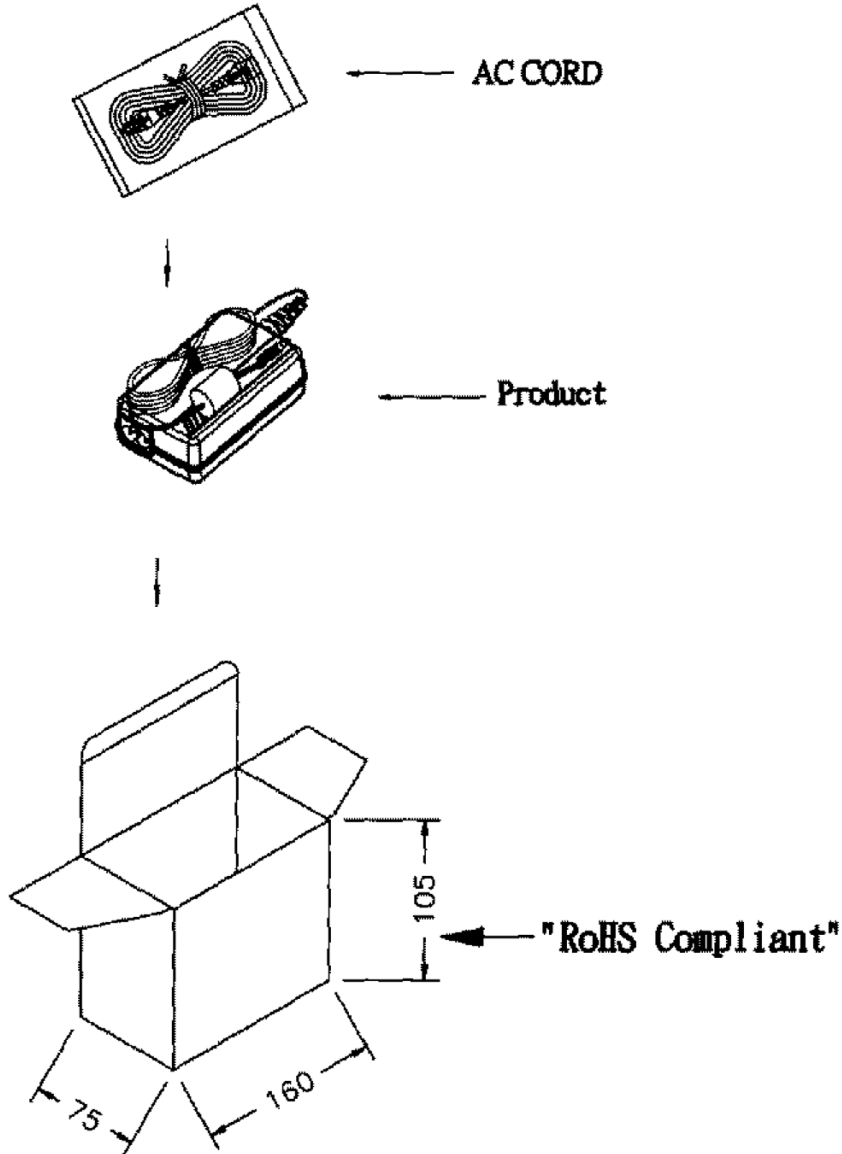


VIBRATION TEST	a. 160'
	b. WEIGHT 200g
	c. 40 ROUND/MINUTE
	d. OVER 1000 COUNT MIN



Individual Packaging

Tolerance: ± 1





Packaging

Tolerance: +7/-0

EXTERNAL CARTON MATERIAL:A=B(6mm)

INTERNAL CARTON MATERIAL:A-B(3mm)

CARTON SIZE: 410X346X245mm

Q'TY: 20pcs(10x2x1)

"RoHS Compliant"

